

IQ Interactive Whiteboard Series

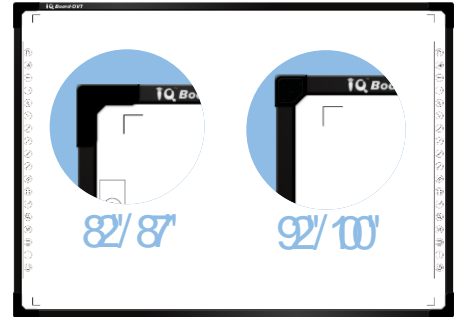
—Diagonal Size
82", 85", 87", 92", 97", 100", 126", 150"

Catalogue

IQBoard DVTQK -----	3
Product Highlights -----	3
Specifications -----	3
Dimensions (82inch / 87inch / 92inch/ 100inch) -----	5
IQTouch Overlay DVT -----	11
Product Highlights -----	11
Specifications -----	11
Dimensions (82inch) -----	13
IQBoard IRQK -----	14
Product Highlights -----	14
Specifications -----	14
Dimensions (82inch/87inch / 97inch / 126inch / 150inch) -----	16

IQBoard DVTQK

High performance whiteboard with latest Digital Vision Touch technology, perfect user experience by finger touch, no special pen required, slim black frame and built-in high-speed infrared cameras, easier for after-sale maintenance and much lower rate of failure.



Product Highlights

1. Multi touch: 10 points touch for collaboration. No special pen required.
2. Hotkeys: 18 hotkeys for handy operation at both sides.
3. Gesture recognition: One finger to write, two fingers to select and palm to erase.
4. Touch off: Disable the touch function and enable to write with the pen
5. Easier Maintenance: Front detachable design only for large-size whiteboard that includes 92 inches and 100 inches.
6. Durable Design: Durable honeycomb aluminum backboard with porcelain surface to ensure stable construction.

Specifications

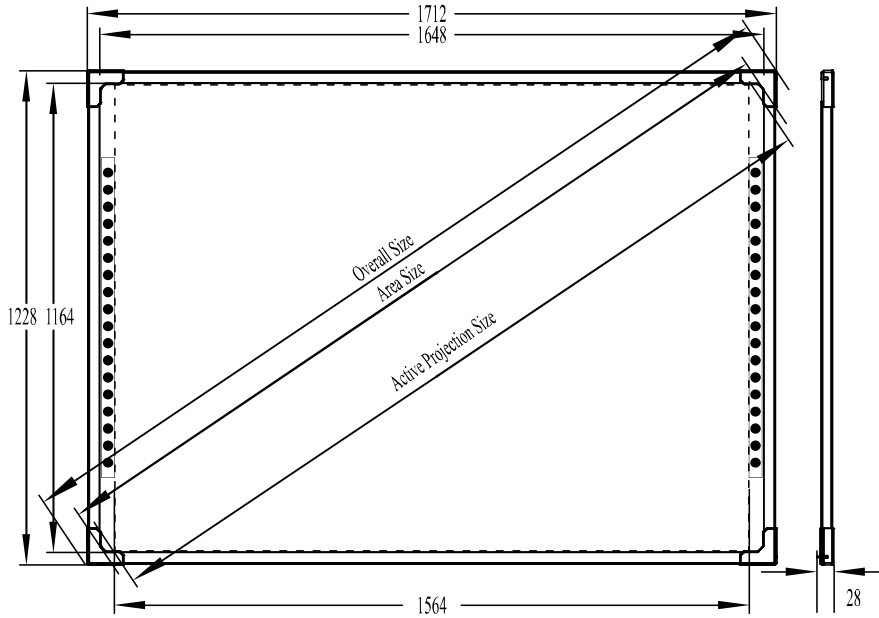
Name	IQBoard DVTQK			
Model	DVTQK			
Touch points	10			
Overall diagonal size (mm)	82"	87"	92"	100"
Overall size (mm)	1712*1228	1783*1313	2004*1240	2180*1350
Active area dimension (mm)	1648*1164	1719*1244	1938*1174	2114*1284
Active projection dimension (mm)	1564*1164	1659*1244	1878*1174	2054*1284
Packing Dimension (mm)	1922*1340*75	1993*1425*75	2214*1352*75	2390*1462*75
Aspect ratio	4:3		16:10	
Front detachable design	N/A		YES	
Resolution	32768*32768			

Technology	Digital vision touch technology
Hotkeys	18 hotkeys on both sides
Signal tracking rate	8m/s
Precision	0.05 mm
Calibration	4, 9, 12, 15, 20 or 25 points
Softwares	IQ Interactive Education Platform 6.0, IQClass 6.0, IQClass Plus
Surface	Porcelain steel or painted steel
Power supply	USB, ≤600mW
Operating systems	Windows XP/2003/ Vista/7/8/8.1/10, Linux, Mac 10.X
Storage environment	Temperature: -40°C ~ 60°C Humidity: 15%-85%
Working environment	Temperature: -20°C - 50°C Humidity: 15%-85%
Installation	Wall mounting, cabinets, stand mounting
Warranty	Three-year warranty. Please visit www.IQBoard.net for more details.
Certifications	CE, FCC, RoHS, ISO9001, ISO14001, ISO14021

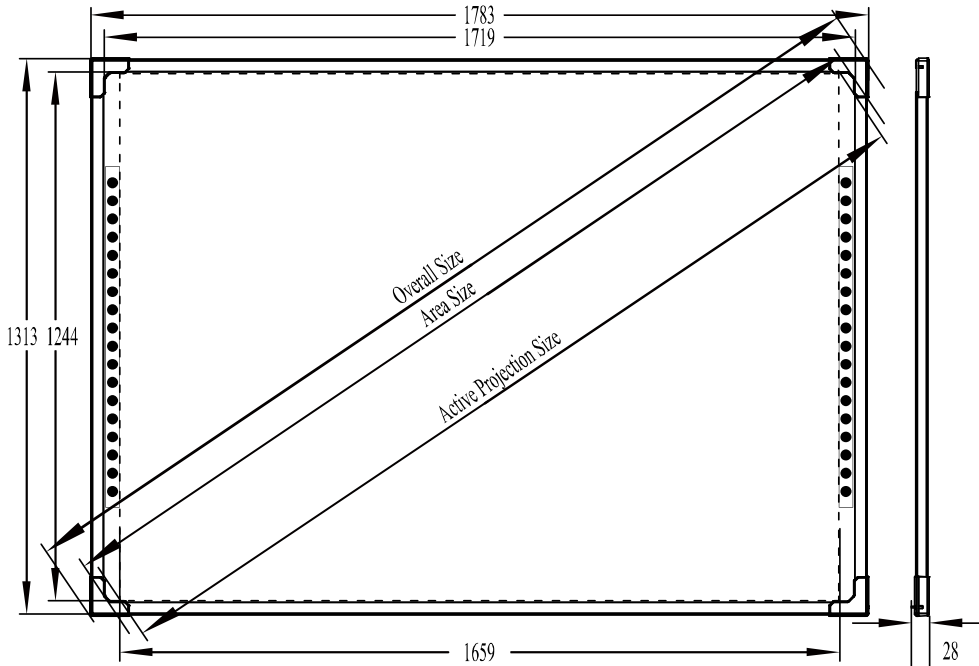
Dimensions

Unit: mm

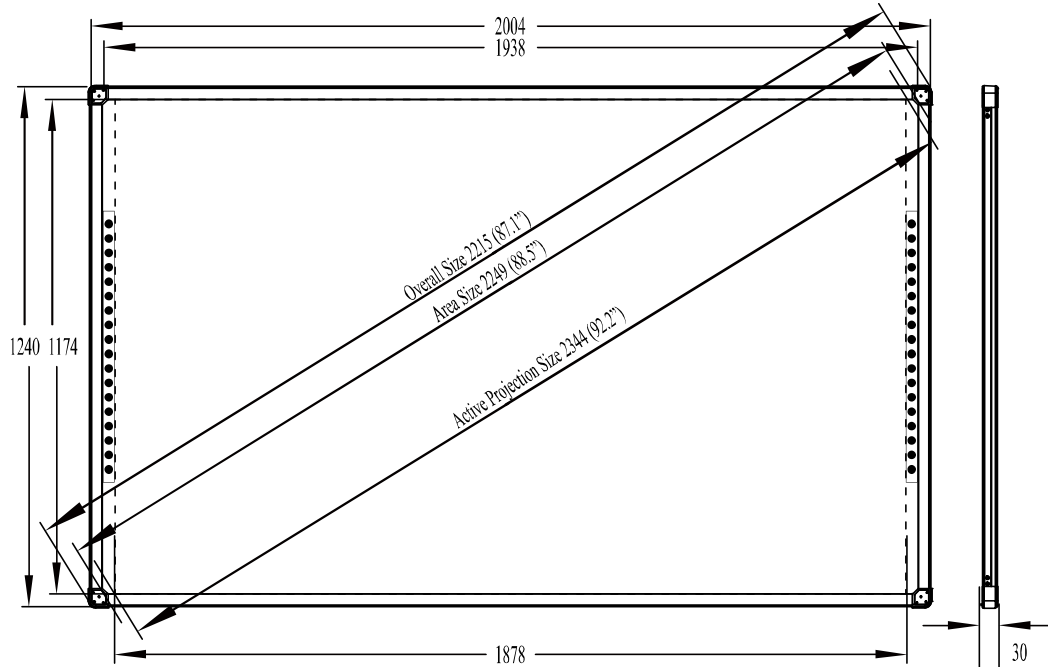
IQBoard DVTQK 82"



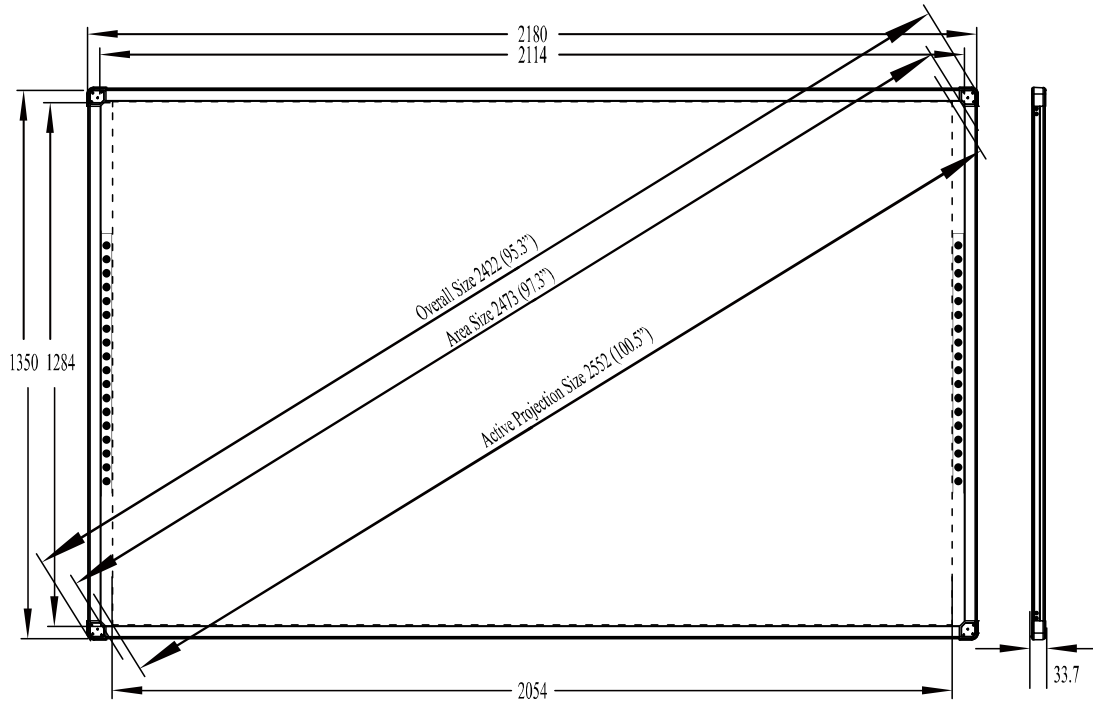
IQBoard DVTQK 87"



IQBoard DVTQK 92"



IQBoard DVTQK 100"



IQTouch Overlay DVT

Based on Digital Vision Touch technology, this kind of product removes the backboard for more flexibility and various combinations, but functions the same as the IQBoard DVT.



Product Highlights

1. Flexible Combination: Combined with flat blackboard and wall.
2. Multi touch: Two or ten touch for better interaction
3. Lower cost: Purchase and storage with lower cost due to simpler structure.
4. Easy to assemble

Specifications

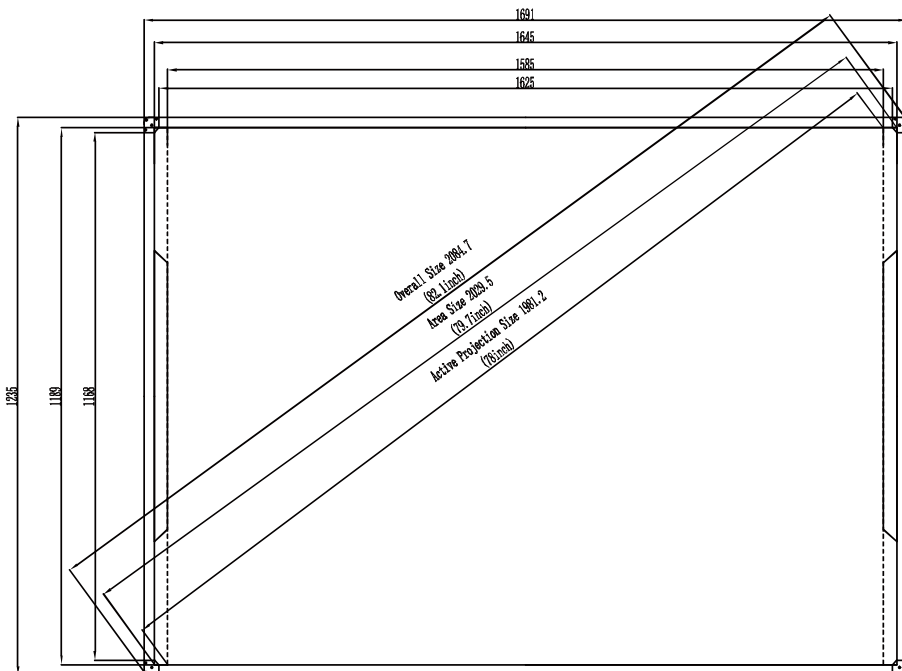
Name	IQTouch Overlay DVT
Model	DVTX
Touch points	2
Overall diagonal size	82"
Overall size (mm)	1691*1235*10.5
Active Area size (mm)	1645*1189
Projection size (mm)	1585*1189
Aspect ratio	4:3
Resolution	32768*32768

Signal tracking rate	8m/s
Signal response time	≤6ms
Precision	0.05mm
Calibration	4, 9, 12, 15, 20 or 25 points
Hotkeys	Soft Hotkeys on both sides
Power supply	USB, ≤600mW
Operating systems	Windows XP/2003/Vista/7/8, Linux, Mac 10.X
Softwares	IQ Interactive Education Platform, IQClass, IQClass Plus
Surface	Porcelain steel or painted steel
Frame	Aluminum
Storage environment	Temperature: -40°C ~ 60°C Humidity: 0% ~ 95%
Working environment	Temperature: -20°C ~ 50°C Humidity: 15% ~ 85%
Warranty	Three-year warranty. Please visit www.IQBoard.net for more details.
Installation	Wall mounting, cabinets, stand mounting
Certifications	CE, FCC, RoHS, ISO9001, ISO14001, ISO14021

Dimensions

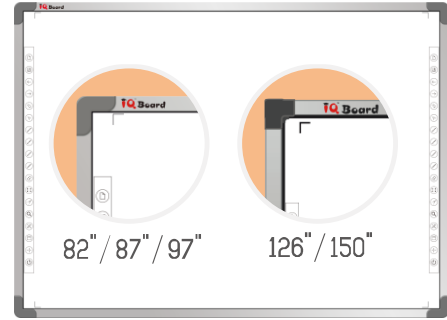
Unit: mm

IQTouch Overlay 82"



IQBoard IRQK

Infrared interactive whiteboard, supports up to 32 point touch, which offers the low cost, stable performance and durable usage compared with ET and PS boards. What's more, IQBoard IRQK allows pen or any opaque to draw or write, no pen required.



Product Highlights

1. Multi touch: 10,16 and 32 points touch for collaboration. No special pen required.
2. Hotkeys: 18 hotkeys for handy operation at both sides.
3. Gesture recognition: One finger to write, two fingers to select and palm to erase.
4. Touch off: Disable the touch function and enable to write with the pen
5. Durable Design: Durable honeycomb aluminum backboard with porcelain surface to ensure stable construction.

Specifications

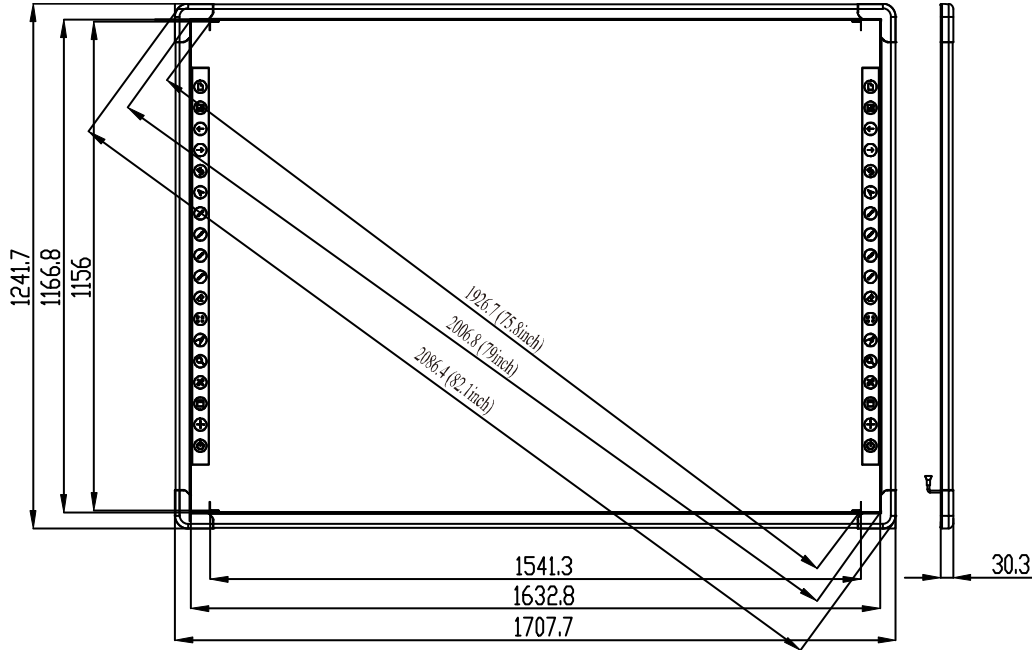
Name	IQBoard IRQK				
Model	IRQK				
Touch points	10/16/32				
Overall diagonal size	82"	87"	97"	126"	150"
Overall size (mm)	1708*1242*33	1797*1305*33	2123*1305*33	2799*1571*40	3563*1367*40
Active area size (mm)	1633*1167	1722*1230	2048*1230	2699*1471	3463*1267
Packing Dimension (mm)	1918*1354*75	2007*1417*75	2333*1417*75	/	/
Projection size (mm)	1542*1156	1625*1219	1951*1219	2615*1471	3379*1267
Aspect ratio	4:3	4:3	16:10	16:9	8:3 (two projectors)
Resolution	32768*32768				

Signal tracking rate	8m/s
Signal response time	≤6ms
Precision	0.05mm
Calibration	4, 9, 12, 15, 20 or 25 points
Hotkeys	Soft Hotkeys on both sides
Power supply	USB, ≤600mW
Operating systems	Windows XP/2003/7/8/8.1/10, Linux, Mac 10.X
Softwares	IQ Interactive Education Platform, IQClass, IQClass Plus
Surface	Porcelain steel or painted steel
Frame	Aluminum
Storage environment	Temperature: -40°C ~ 60°C Humidity: 0% ~ 95%
Working environment	Temperature: -20°C ~ 50°C Humidity: 15% ~ 85%
Warranty	Three-year warranty.
Installation	Wall mounting, cabinets, stand mounting
Certifications	CE, FCC, RoHS, ISO9001, ISO14001, ISO14021

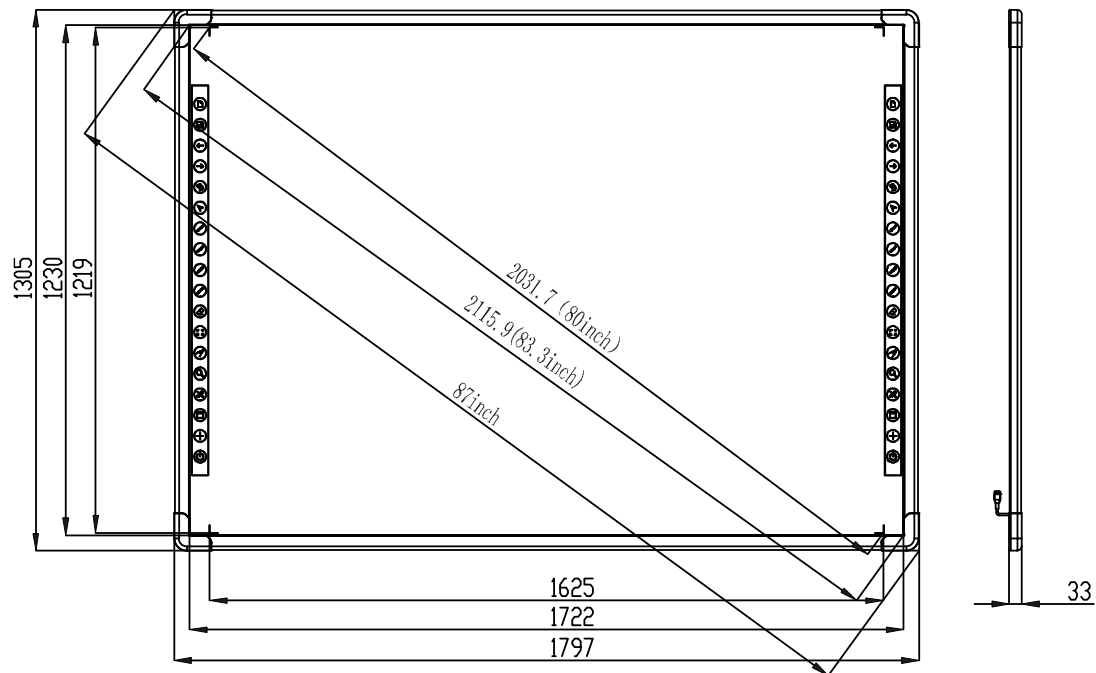
Dimensions

Unit: mm

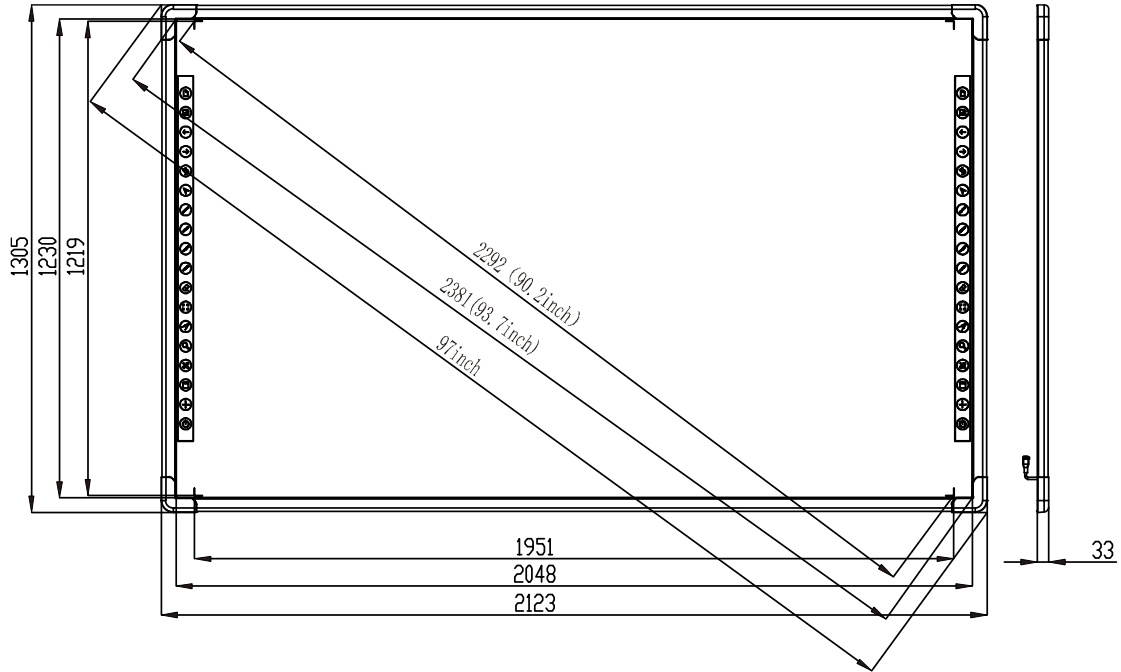
IQBoard IRQK 82"



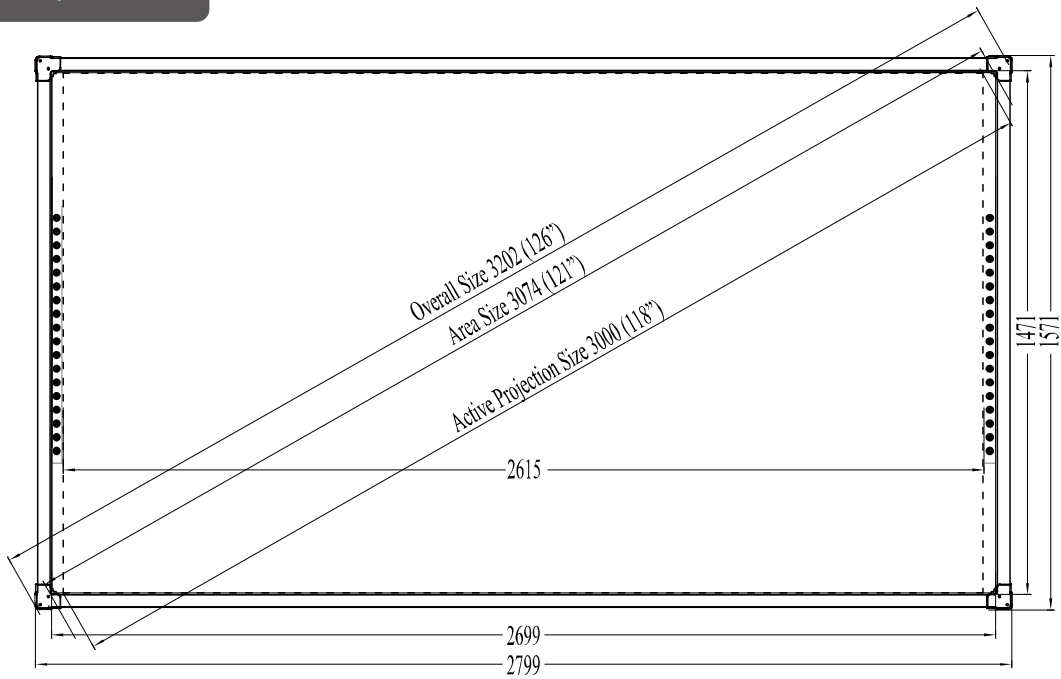
IQBoard IRQK 87"



IQBoard IRQK 97"



IQBoard IRQK 126"



Dimensions

Unit: mm

IQBoard IRQK 150"

